





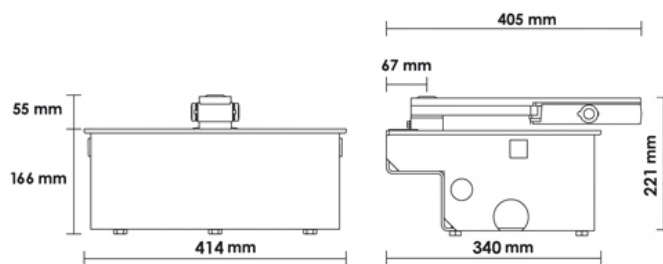
## Composition SET BR21/354

| Code                | Description  | QTY |
|---------------------|--|-----|
| <b>BR21/351</b>     | Electromechanical underground motor, BRUSHLESS, low voltage, super intensive use, with native encoder onboard, irreversible, ideal for swing gates with leaf up to 4,5 mt. Standard version with 2 mt cable. | 2   |
| <b>FU101</b>        | Hot galvanised foundation box and lid.   | 2   |
| <b>RL650</b>        | Release system with standard lever.  | 2   |
| <b>KIT EDGE1/20</b> | Electronic kit with digital controller 36V EDGE1/BOX for two motors BRUSHLESS.   | 1   |
|                     | <b>Composition KIT EDGE1/20</b>  |     |
|                     | <b>EDGE1/BOX</b><br>Digital control 36V for two BRUSHLESS motor, with plastic box.   | 1   |
|                     | <b>H93/RX22A/I</b><br>Plug-in receiver 2 channels 433,92 Mhz for control unit series H70, B70, EDGE and AG/CTRL.   | 1   |
|                     | <b>E80/TX52R/2</b><br>Fix code transmitter 433,92 Mhz. 2 channels, with radio for copy.  | 2   |
|                     | <b>R90/F4ES</b><br>Pair of external photocells synchronized 24V AC/DC (max. 4 pairs).  | 1   |
|                     | <b>FIFTHY/24</b><br>LED flashing light series FIFTHY 24V with integrated antenna.  | 1   |
|                     | <b>R99/C/001</b><br>Signboard "Automatic Opening"  | 1   |

| Product technical specifications | SET BR21/354                             |
|----------------------------------|--|
| Power line supply                | 230V AC - 50 Hz                          |
| Motor power supply               | 24V - 36V                                |
| Power rating                     | 200W                                     |
| Frequency of use                 | Intensive use                            |
| Torque                           | 50 - 300N m                              |
| Operating temperature            | -20+55°C                                 |
| Protection level                 | IP67                                     |
| Reductor Type                    | Irreversible                             |
| Manoeuvre speed                  | 1,2 Rpm                                  |
| Opening time at 90°              | 19-29 s                                  |
| Limit switch                     | Mechanical stoppers                      |
| Encoder                          | Digital native encoder SENSORLESS 48 PPR |

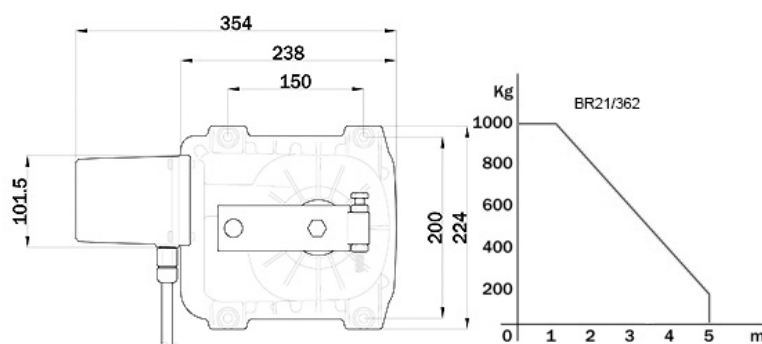
|   |                                   |
|---|-----------------------------------|
| Maximun opening   | <b>105°(optional 125° - 360°)</b> |
| Power supply cable length                                     | <b>2m</b>                         |
| Bearing on main shaft   | <b>Standard</b>                   |
| Operating cycles per day (opening/closing - 24 hours no stop) | <b>1300</b>                       |
| Maximum dimension product in mm (L x W x H)                   | <b>345 x 224 x 144</b>            |
| Product weight packed (Kg)                                    | <b>70,5</b>                       |

## PRODUCT DIMENSIONS



DIMENSIONS

## PRODUCT PREPARING FOR INSTALLATION



PREDISPOSITION FOR STANDARD INSTALLATION

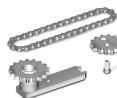
## PRODUCT ACCESSORIES



**LT300**  
Levers for opening up to 125°.



**LT301**  
Levers for opening up to 360°.



**LT301/R**  
Levers for opening up to 360°, with reinforced chain.



**LT300/90SX**  
Levers for opening up to 125° - 90° turned - left.



**LT300/90DX**  
Levers for opening up to 125° - 90° turned - right.



**LT327/SC**  
Pinion gear  $\frac{3}{4}$  Z13 of adaptation in pinion combining  $\frac{3}{4}$  Z16.



**RL650/R**  
Release system with standard lever, reinforced steel version.



**RL651**  
Release system with european cylinder key.



**RL663**  
Long release lever for underground.