



Composition SET BH23/284

Code	Description	QTY
BH23/282	Electromechanical articulated motor BRUSHLESS, low voltage, super intensive use, with native encoder onboard, irreversible ideal for swing gates with leaf up to 2.8 meters of length. With mechanical stopper in opening and closing and with standard version of short arms.	2
KIT B70/20	Electronic kit with digital controller 24V B70/2DC/BOX for two motors BRUSHLESS.	1
	Composition KIT B70/20	
	B70/2DC/BOX Digital control 24V for 2 BRUSHLESS motor, with plastic box.	1
	H93/RX22A/I Plug-in receiver 2 channels 433,92 Mhz for control unit series H70, B70, EDGE and AG/CTRL.	1
	E80/TX52R/2 Fix code transmitter 433,92 Mhz. 2 channels, with radio for copy.	2
	R90/F4ES Pair of external photocells synchronized 24V AC/DC (max. 4 pairs).	1
	FIFTHY/24 LED flashing light series FIFTHY 24V with integrated antenna.	1
	R99/C/001 Signboard "Automatic Opening"	1

Product technical specifications	SET BH23/284
Power line supply	230V AC - 50Hz
Motor power supply	24V
Power rating	160W
Frequency of use	Intensive use
Torque	50 - 280 N m
Operating temperature	-20+55° C
Protection level	IP43
Reductor Type	Irreversible
Manoeuvre speed	1 - 1,9 Rpm
Opening time at 90°	12-20 s
Limit switch	Mechanical stopper in opening and closing
Encoder	Digital native encoder SENSORLESS 48 PPR
Operating cycles per day (opening/closing - 24 hours no stop)	1900

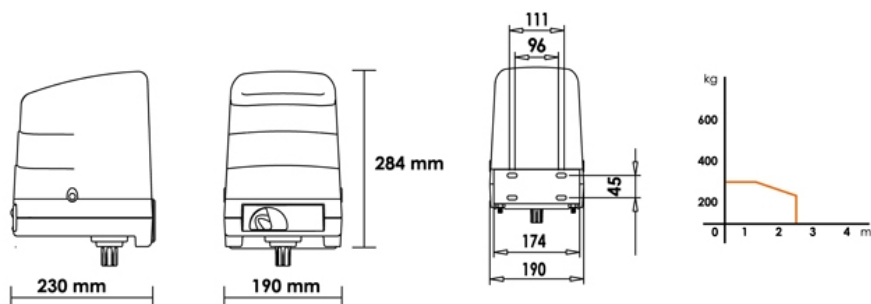
Maximum dimension product in mm (L x W x H)

230 x 190 x 284

Product weight packed (Kg)

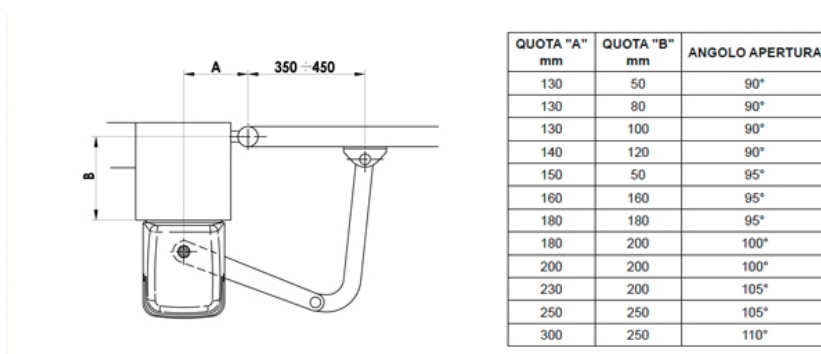
31,1

PRODUCT DIMENSIONS



DIMENSIONS

PRODUCT PREPARING FOR INSTALLATION



PREDISPOSIZIONE PER L'INSTALLAZIONE STANDARD

PRODUCT ACCESSORIES



LT302
Arms short for articulated motor.



KT218
Gate pull bracket for series articulated.



RL671
Metallic wire length 3mt for release from outside.



KT209
Plate for fixing to post H23 series.