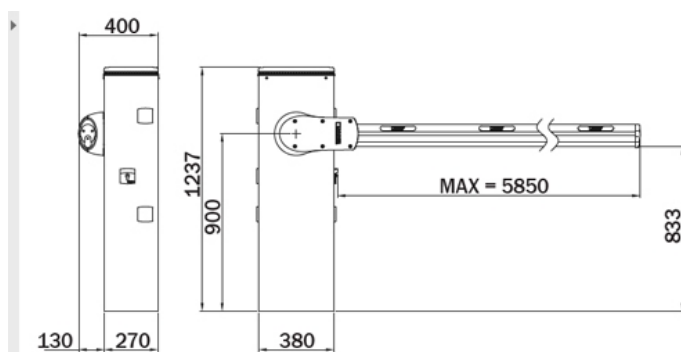


Code	Description	Pcs/pallet
BI/006	Automatic Barrier Brushless 36V DC super intensive use up to 6 meters, with operator and and built-in digital control panel and absolute encoder on board.	6

Product technical specifications	BI/006
Barriers	Up to 6 mt long
Power line supply	230V AC - 50Hz
Motor power supply	36V DC
Electrical absorption	max 15A
Power rating	220W
Frequency of use	Super intensive use
Torque	10 - 300 N m
Operating temperature	- 20 + 55 C°
Protection level	IP54
Reductor Type	Irreversible
Opening time at 90°	4 ÷ 8 (sec)
Onboard control unit	CTRL Digital Controller 36V DC
Encoder	Digital native encoder + magnetic digital SENSORED, 4096 PPR
Accessories power supply	24V DC
Release system	European Key cylinder
Batteries recovery	Available (optional)
BUS synchronization Master/Slave	Yes
Operating cycles per day (opening/closing - 24 hours no stop)	4000 cycles
Maximum dimension product in mm (L x W x H)	380 x 270 x 1237
Product weight packed (Kg)	74
Number items per pallet	6

PRODUCT DIMENSIONS



DIMENSIONS

PRODUCT ACCESSORIES



BAFS/01
Fixed support for bars.



BAFS/02
Fixing support,
adjustable.



BAFS/03
Fixing support with bolt
predisposition for bars.



BAFS/04
Fixing support
adjustable, with bolt
predisposition for bars.



BAFS/05
Adjustable fixed end rest
for barriers of the ranges
with magnetic suction
cup.



BAMS/01
Mobile support for bars.



BAMS/01/EXT
Extension 20cm for
mobile support
BAMS/01.



BA/90/2
White painted aluminum
rod, 2 meters long, with
LED cover profile and
impact resisting rubber
profile.



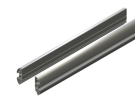
BA/90/3
White painted aluminum
rod, 3 meters long, with
LED cover profile and
impact resisting rubber
profile.



BA/90/4
White painted aluminum
rod, 4 meters long, with
LED cover profile and
impact resisting rubber
profile.



BA/90/6
White painted aluminum
rod, 6 meters long, with
LED cover profile and
impact resisting rubber
profile.



JNT/BA/90
Internal boom bar joint in
anodized aluminum
including fixing screws
for bars BA/90.



BARK/02
Barrier skirting in
aluminum, with stainless
steel screws mounted on
bronze bushings. Single
module of length 2
meters.



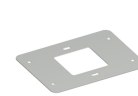
BI/BAT/KIT
Kit for emergency
batteries charger for
brushless digital
controller CTRL 36V DC
with plug-in card, with 2
recovery batteries 12V
DC, 4.5 Ah. Kit for
BIONIK barrier.



BI/BCHP
Plug-in card, batteries
charger, for brushless
digital controller CTRL
36V DC, without recovery
batteries, for BIONIK
barrier.



BT12V45
Pair of batteries 12V 4.5
Ah.



KT230
Fixing plate with stay
bolts and screws for
BI/001PE - BI/001PC -
BI/004HP - BI/006.



KT230/IS
Fixing plate, inox AISI
304 version, with stay
bolts and screws for
BI/001PE - BI/001PC -
BI/004HP - BI/006.



KT231
Fixing plate for code
BAFS/01, BAFS/02,
BAFS/03, BAFS/04,
BAFS/05.



CRA/BAR
Post for photocells
G90/F2ES - G90/F4ES -
for spaced installation
on a barrier cabinet
(+23cm).



B73/EXP
Signal status board, 2
output for CTRL -
CTRL/P



SP/83/01
Spring diameter 83 mm
for barriers.



SP/85/01
Spring diameter 85 mm
for barriers.



DLD1/24
Loop detector for 1 loop,
2 output, 24V AC/DC.



DLD2/24
Loop detector for 2 loop,
2 output + output alarm,
24V AC/DC.



KT239
Kit DIN rail with magnetic
support.



KT242
Cable passage kit, with
magnetic support, for
barriers.



ALED/12C
Luminous led cord of 12
meters with connection
cable for boom arms.



R99/BASB40
Pack of 40 stickers for
barrier.