

Code	Description	Pcs/pallet
BI/004	36V DC BIONIK BRUSHLESS barrier for 3 or 4 metre booms, with control unit and on-board native encoder, complete with a fastening base with tie rods and screws and boom fastening angles.	8

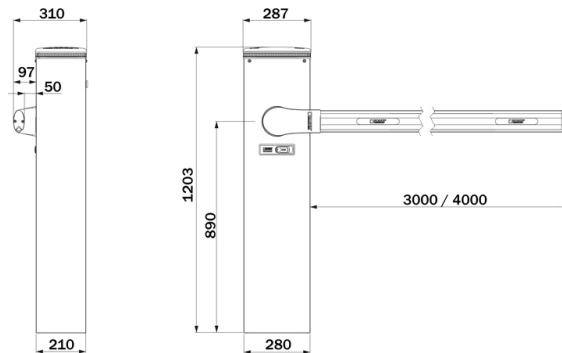
Product technical specifications	BI/004
Barriers	Up to 4 mt long
Power line supply	230V AC - 50 Hz
Motor power supply	36V DC
Electrical absorption	0-15A
Power rating	220W
Frequency of use	Continue use
Torque	0 - 200 N m
Operating temperature	- 20 + 55 C°
Protection level	IP54
Reductor Type	Irreversible
Opening time at 90°	2÷6 sec (up to 3 m) - 3÷6 sec (up to 4 m)
Onboard control unit	CTRL Digital Controller 36V DC
Encoder	Digital native encoder + magnetic digital SENSORED, 4096 PPR
Accessories power supply	24V DC
Release system	STANDARD Key cylinder
Batteries recovery	Available (optional)
BUS synchronization Master/Slave	Yes
Operating cycles per day (opening/closing - 24 hours no stop)	5000 cycles
Maximum dimension product in mm (L x W x H)	287 x 310 x 1203
Product weight packed (Kg)	47,5
Number items per pallet	8

ROGER TECHNOLOGY

Via S. Botticelli, 8 - 31021, Bonisiolo di Mogliano Veneto (TV) - ITALIA P.IVA 01612340263 Tel. +39 041 5937023 Fax +39 041 5973023
info@rogertechnology.it - www.rogertechnology.it



PRODUCT DIMENSIONS



DIMENSIONS

PRODUCT ACCESSORIES



BAFS/01
Fixed support for bars.



BAFS/02
Fixing support, adjustable.



BAFS/03
Fixing support with bolt predisposition for bars.



BAFS/04
Fixing support adjustable, with bolt predisposition for bars.



BAFS/05
Adjustable fixed end rest for barriers of the ranges with magnetic suction cup.



BAMS/01
Mobile support for bars.



BAMS/01/EXT
Extension 20cm for mobile support BAMS/01.



BA/68/3
White painted aluminum rod, 3 meters long, with LED cover profile and impact resisting rubber profile.



BA/68/4
White painted aluminum rod, 4 meters long, with LED cover profile and impact resisting rubber profile.



SND/BA/68/DW
Articulated joint 90° with lower tie rod for boom arms BA/68.



SND/BA/68/UP
Articulated joint 90° with upper tie rod for boom arms BA/68.



BARK/02
Barrier skirting in aluminum, with stainless steel screws mounted on bronze bushings. Single module of length 2 meters.



BI/BAT/KIT
Kit for emergency batteries charger for brushless digital controller CTRL 36V DC with plug-in card, with 2 recovery batteries 12V DC, 4.5 Ah. Kit for BIONIK barrier.



BI/BCHP
Plug-in card, batteries charger, for brushless digital controller CTRL 36V DC, without recovery batteries, for BIONIK barrier.



BT12V45
Pair of batteries 12V 4.5 Ah.



KT231
Fixing plate for code BAFS/01, BAFS/02, BAFS/03, BAFS/04, BAFS/05.

KT240
Fixing plate with stay bolts and screws for series Bionik.



B73/EXP
Signal status board, 2 output for CTRL - CTRL/P.



SP/48/01
Spring diameter 48 mm for barriers.



SP/61/01
Spring diameter 61 mm for barriers.



SP/72/01
Spring diameter 72 mm for barriers.



DLD1/24
Loop detector for 1 loop, 2 output, 24V AC/DC.



DLD2/24
Loop detector for 2 loop, 2 output + output alarm, 24V AC/DC.



RL670
European cylinder key for release system series SMARTY - BIONIK.



KT239
Kit DIN rail with magnetic support.



KT242
Cable passage kit, with magnetic support, for barriers.



ALED/4C
Luminous led cord of 4 meters for bar up to 4 meters with connection cable.



R99/BASB40
Pack of 40 stickers for barrier.