

Code	Description	Pcs/pallet
BI/004HP/IS	Automatic Barrier Brushless 36V DC super intensive use up to 4 meters, with operator and and built-in digital control panel and absolute encoder on board. Version with housing unit made in brushed stainless steel AISI 304.	6

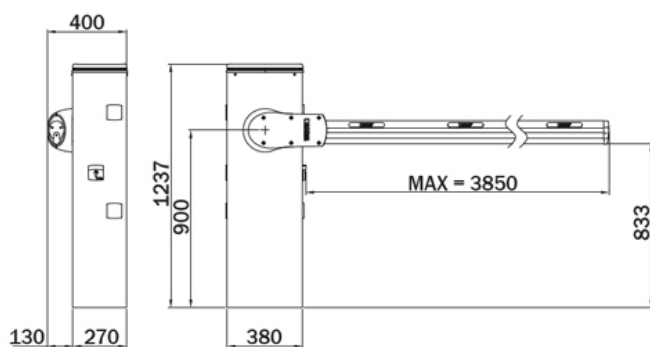
Product technical specifications	BI/004HP/IS
Barriers	Up to 4 mt long
Power line supply	230V AC - 50Hz
Motor power supply	36V DC
Electrical absorption	max 15A
Power rating	220W
Frequency of use	Super intensive use
Torque	10 - 200 N m
Operating temperature	- 20 + 55 C°
Protection level	IP54
Reductor Type	Irreversible
Opening time at 90°	3 ÷ 6 (sec)
Onboard control unit	CTRL Digital Controller 36V DC
Encoder	Digital native encoder + magnetic digital SENSORED, 4096 PPR
Accessories power supply	24V DC
Release system	European Key cylinder
Batteries recovery	Available (optional)
BUS synchronization Master/Slave	Yes
Operating cycles per day (opening/closing - 24 hours no stop)	5000 cycles
Maximum dimension product in mm (L x W x H)	380 x 270 x 1237
Product weight packed (Kg)	74
Number items per pallet	6

ROGER TECHNOLOGY

Via S. Botticelli, 8 - 31021, Bonisiolo di Mogliano Veneto (TV) - ITALIA P.IVA 01612340263 Tel. +39 041 5937023 Fax +39 041 5973023
info@rogertechnology.it - www.rogertechnology.it



PRODUCT DIMENSIONS



DIMENSIONS

PRODUCT ACCESSORIES



BAFS/01
Fixed support for bars.



BAFS/02
Fixing support, adjustable.



BAFS/03
Fixing support with bolt predisposition for bars.



BAFS/04
Fixing support adjustable, with bolt predisposition for bars.



BAFS/05
Adjustable fixed end rest for barriers of the ranges with magnetic suction cup.



BAMS/01
Mobile support for bars.



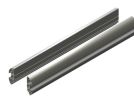
BAMS/01/EXT
Extension 20cm for mobile support BAMS/01.



BA/90/3
White painted aluminum rod, 3 meters long, with LED cover profile and impact resisteng rubber profile.



BA/90/4
White painted aluminum rod, 4 meters long, with LED cover profile and impact resisteng rubber profile.



JNT/BA/90
Internal boom bar joint in anodized aluminum including fixing screws for bars BA/90.



SND/BA/90/DW
Articulated joint 90° with lower tie rod for boom arms BA/90.



SND/BA/90/UP
Articulated joint 90° with upper tie rod for boom arms BA/90.



BARK/02
Barrier skirting in aluminum, with stainless steel screws mounted on bronze bushings. Single module of length 2 meters.



ACS/BA/60
Break-away system for barrier, compatible only with BA/60/3 boom arm.



BI/BAT/KIT
Kit for emergency batteries charger for brushless digital controller CTRL 36V DC with plug-in card, with 2 recovery batteries 12V DC, 4.5 Ah. Kit for BIONIK barrier.



BI/BCHP
Plug-in card, batteries charger, for brushless digital controller CTRL 36V DC, without recovery batteries, for BIONIK barrier.



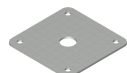
BT12V45
Pair of batteries 12V 4.5 Ah.



KT230
Fixing plate with stay bolts and screws for BI/001PE - BI/001PC - BI/004HP - BI/006.



KT230/IS
Fixing plate, inox AISI 304 version, with stay bolts and screws for BI/001PE - BI/001PC - BI/004HP - BI/006.



KT231
Fixing plate for code BAFS/01, BAFS/02, BAFS/03, BAFS/04, BAFS/05.



CRA/BAR
Post for photocells G90/F2ES - G90/F4ES - for spaced installation on a barrier cabinet (+23cm).



B73/EXP
Signal status board, 2 output for CTRL - CTRL/P.



SP/72/01
Spring diameter 72 mm for barriers.



SP/83/01
Spring diameter 83 mm for barriers.



DLD1/24

Loop detector for 1 loop,
2 output, 24V AC/DC.



DLD2/24

Loop detector for 2 loop,
2 output + output alarm,
24V AC/DC.



KT239

Kit DIN rail with magnetic
support.



KT242

Cable passage kit, with
magnetic support, for
barriers.



ALED/6C

Luminous led cord of 6
meters with connection
cable for boom arms.



ALED/8C

Luminous led cord of 8
meters with connection
cable for boom arms.



R99/BASB40

Pack of 40 stickers for
barrier.