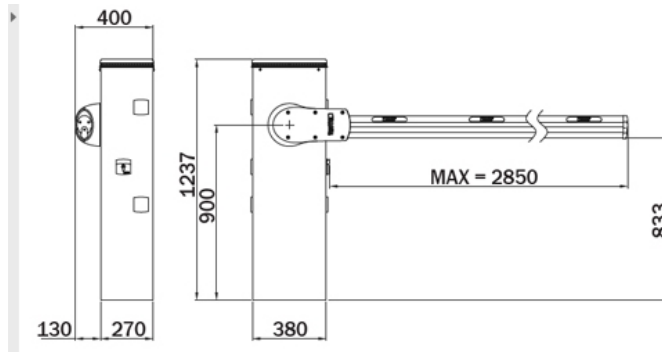


Code	Description	Pcs/pallet
BI/001PE	Automatic Barrier Brushless 36V DC, rapid version, super intensive use up to 3 meters, with operator and and built-in digital control panel and absolute encoder on board; parking version.	6

Product technical specifications	BI/001PE
Barriers	Up to 3 mt long
Power line supply	230V AC - 50Hz
Motor power supply	36V DC
Electrical absorption	max 15A
Power rating	450W
Frequency of use	Super intensive use
Torque	10 - 200 N m
Operating temperature	- 20 + 55 C°
Protection level	IP54
Reductor Type	Irreversible
Opening time at 90°	2 ÷ 4 (sec)
Onboard control unit	CTRL/P Digital Controller 36V DC
Encoder	Digital native encoder + magnetic digital SENSORED, 4096 PPR
Accessories power supply	24V DC
Release system	European Key cylinder
Batteries recovery	Available (optional)
BUS synchronization Master/Slave	No
Operating cycles per day (opening/closing - 24 hours no stop)	8000 cycles
Maximum dimension product in mm (L x W x H)	380 x 270 x 1237
Product weight packed (Kg)	72
Number items per pallet	6

PRODUCT DIMENSIONS



DIMENSIONS

PRODUCT ACCESSORIES



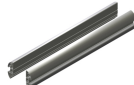
BA/90/2

White painted aluminum rod, 2 meters long, with LED cover profile and impact resisteng rubber profile.



BA/90/3

White painted aluminum rod, 3 meters long, with LED cover profile and impact resisteng rubber profile.



JNT/BA/90

Internal boom bar joint in anodized aluminum including fixing screws for bars BA/90.



SND/BA/90/DW

Articulated joint 90° with lower tie rod for boom arms BA/90.



SND/BA/90/UP

Articulated joint 90° with upper tie rod for boom arms BA/90.



ACS/BA/60

Break-away system for barrier, compatible only with BA/60/3 boom arm.



BI/BAT/KIT

Kit for emergency batteries charger for brushless digital controller CTRL 36V DC with plug-in card, with 2 recovery batteries 12V DC, 4.5 Ah. Kit for BIONIK barrier.



BI/BCHP

Plug-in card, batteries charger, for brushless digital controller CTRL 36V DC, without recovery batteries, for BIONIK barrier.



BT12V45

Pair of batteries 12V 4.5 Ah.



KT230

Fixing plate with stay bolts and screws for BI/001PE - BI/001PC - BI/004HP - BI/006.



KT230/IS

Fixing plate, inox AISI 304 version, with stay bolts and screws for BI/001PE - BI/001PC - BI/004HP - BI/006.



CRA/BAR

Post for photocells G90/F2ES - G90/F4ES - for spaced installation on a barrier cabinet (+23cm).



B73/EXP

Signal status board, 2 output for CTRL - CTRL/P



SP/72/01

Spring diameter 72 mm for barriers.



DLD1/24

Loop detector for 1 loop, 2 output, 24V AC/DC.



DLD2/24

Loop detector for 2 loop, 2 output + output alarm, 24V AC/DC.



KT239

Kit DIN rail with magnetic support.



KT242

Cable passage kit, with magnetic support, for barriers.



ALED/6C

Luminous led cord of 6 meters with connection cable for boom arms.



R99/BASB40

Pack of 40 stickers for barrier.